

62674 series - ZIF / SMT



0.50 mm Spacing for FFC / FPC

Features

- Available in 8, 12, 16, 20, 23, 25, 30, 33 positions
- Vertical
- Excellent cable retention with small size slider
- Cable lock option



Benefits

- The Gas-Tight, High pressure (GTH) contact system ensures a low cost connection with reliability equal to gold plating.
- The Zero Insertion Force (ZIF) connection allows an increased number of mating cycles with minimal wear.
- The ZIF pre-holding process provides a stable and reliable mating operation.
- The slider ensures maximum cable retention with a minimum size.
- Fork shaped contacts mean stable and low contact resistance.
- The cable lock option provides cable strain relief as well as full retention of cable.

Technical Data

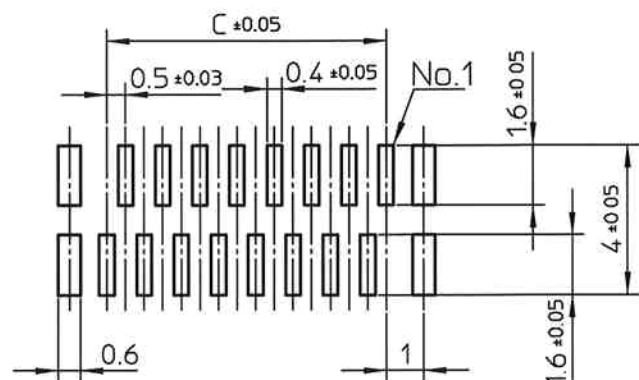
PC Board pattern (component side)

Material

- Housing** : Resin, glass reinforced, UL94V-0, Black
- Slider** : Resin, glass reinforced, UL94V-0, Brown
(with cable-lock : Black)
- Contact** : Phosphor Bronze, Tin alloy plated

Dimensions

$C = 0.50 \times \text{total number of positions} - 0.50$



62674 series - ZIF / SMT



0.50 mm Spacing for FFC / FPC

Ordering Data

Series 62674 - Positions 11 2 1

Number of contacts

8, 12, 16, 20, 23, 25, 30, 33

(for other number of positions, please contact FCI)

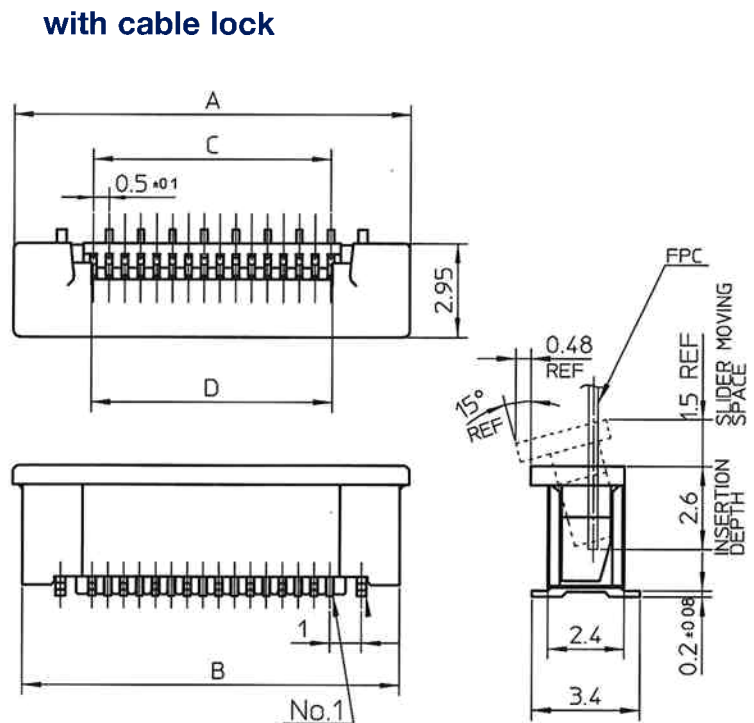
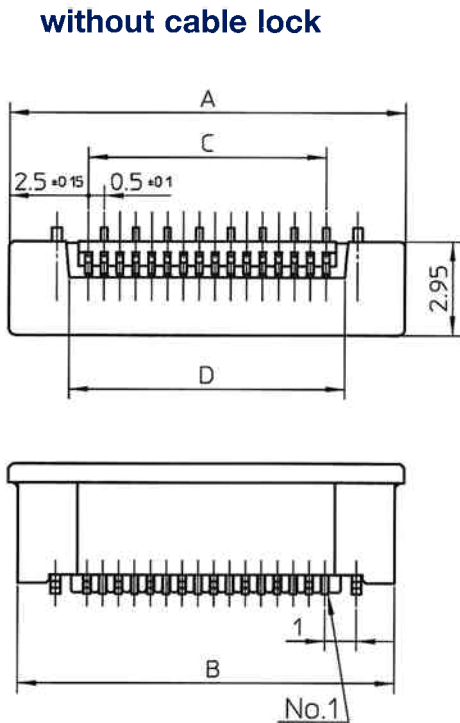
Cable lock

2 = without cable lock

Dimensions

Packaging

Tape and reel : 1000 pcs.



Dimensions		
A	= 0.50 x total number of positions + 4.50	±0.20
B	= 0.50 x total number of positions + 3.90	±0.20
C	= 0.50 x total number of positions - 0.50	±0.10
D (with cable lock)	= 0.50 x total number of positions - 0.40	±0.10
D (without cable lock)	= 0.50 x total number of positions + 0.70	±0.10

Circuitry Type For Recommended Circuitry type see page 25