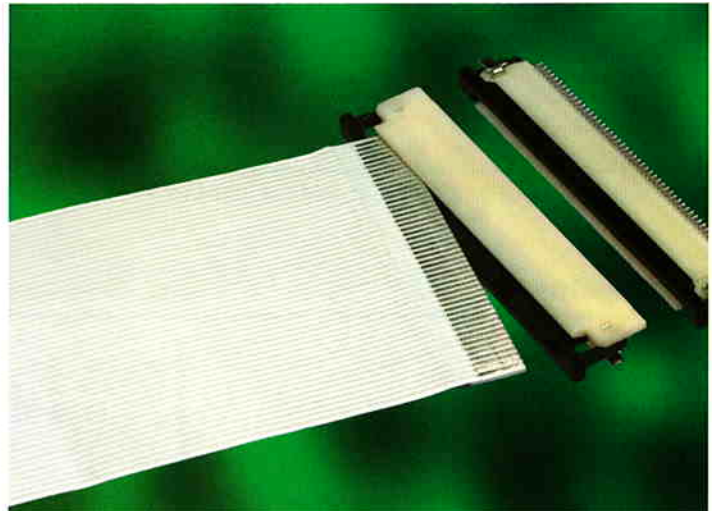


0.50 mm Spacing for FPC / FPC

Features

- Available positions
 - Upside contacts 32, 34, 36, 40, 43, 45, 50
 - Downside contacts 40, 45, 50
- Right angle
- Excellent cable retention with small size slider



Benefits

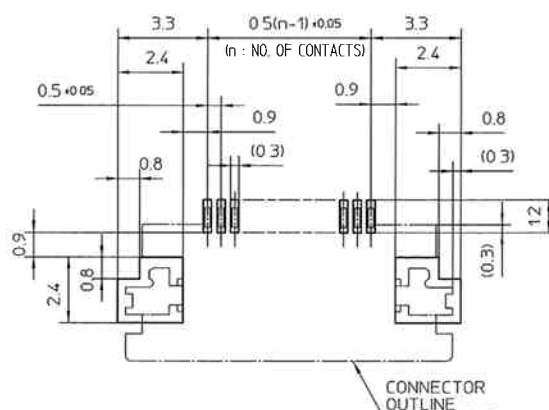
- The Gas-Tight, High pressure (GTH) contact system ensures a low cost connection with reliability equal to gold plating.
- The Zero Insertion Force (ZIF) connection allows an increased number of mating cycles with minimal wear.
- The ZIF pre-holding process provides a stable and reliable mating operation.
- The slider ensures maximum cable retention with a minimum size.
- Fork shaped contacts mean stable and low contact resistance.

Technical Data

PC Board pattern (component side)

Material

- Housing** : Glass filled thermoplastic, UL94V-0, Beige
- Slider** : Glass filled thermoplastic, UL94V-0, Black
- Contact** : Phosphor Bronze, Tin alloy plated



62684 series - ZIF / SMT



0.50 mm Spacing for FPC / FPC

Ordering Data

Series 62684 - Positions 2 10 0

Number of contacts

32, 34, 36, 40, 43, 45, 50

(for other number of positions, please contact FCI)

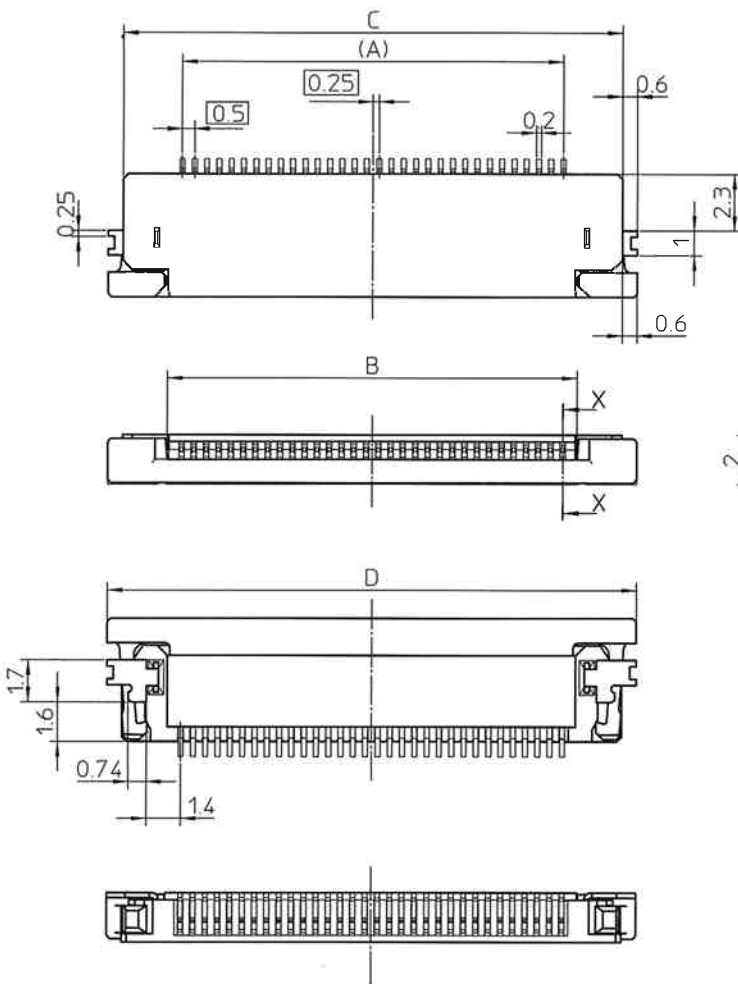
Packaging

Tape and reel : 2000 pcs.

Terminal type 1 = downside contact

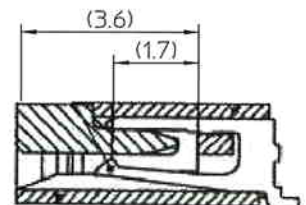
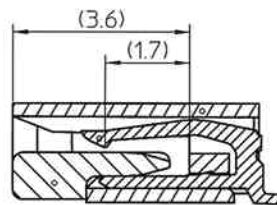
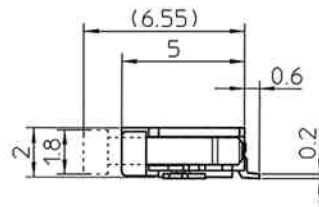
2 = upside contact

Dimensions



Dimensions

A	= 0.50 x total number of positions - 0.50
B	= 0.50 x total number of positions + 0.65
C	= 0.50 x total number of positions + 4.30
D	= 0.50 x total number of positions + 5.50



upside contact

downside contact

SECTION X-X

Circuitry Type For Recommended Circuitry type see page 26