

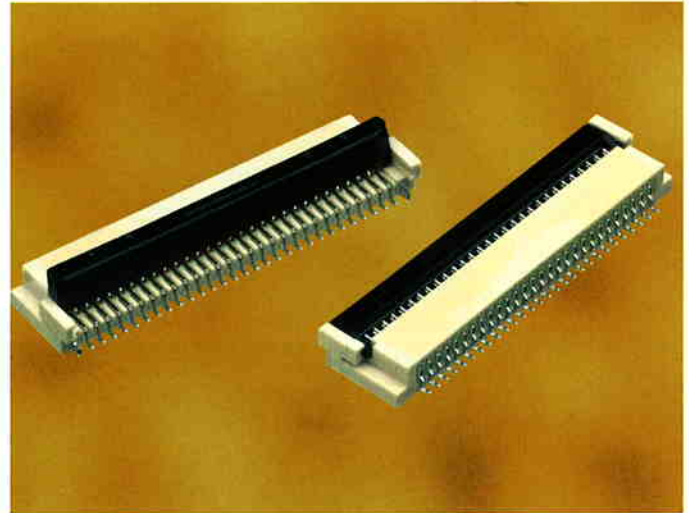
62789 series - ZIF / SMT



0.30 mm Spacing for FPC

Features

- Available in 41, 51, 57, 67 positions
- Right angle
- Excellent cable retention with small size slider



Benefits

- Low profile of 2.00 mm
- Flip-Top cover rotates back 100 degrees for easy cable positioning.
- Staggered PCB layout enables space savings and easy soldering.
- The Zero Insertion Force (ZIF) connection allows an increased number of mating cycles with minimal wear.
- The ZIF pre-holding process provides a stable and reliable mating operation.

Technical Data

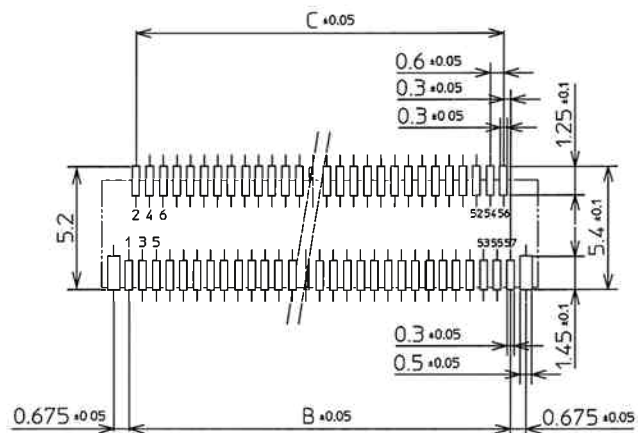
PC Board pattern (component side)

Material

- Housing** : Thermoplastic Resin, White
- Slider** : Thermoplastic Resin, Black
- Contact** : Phosphor Bronze, Tin alloy plated

Dimensions

- B** = 0.30 x total number of positions - 0.30
- C** = 0.30 x total number of positions - 0.90



RECOMMENDED P.C.BOARD
(PARTS MOUNTING SIDE)

62789 series - ZIF / SMT



0.30 mm Spacing for FPC

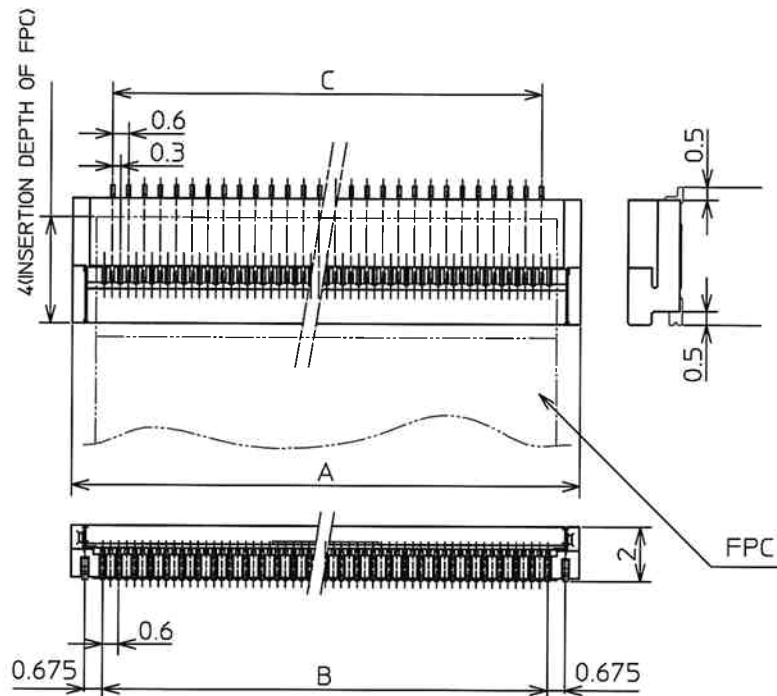
Ordering Data

Series 62789 - Positions 1100

Number of contacts 41, 51, 57, 67
(for other number of positions, please contact FCI)

Packaging Tape and reel : 3000 pcs.

Dimensions



| Dimensions |
|---|
| A = 0.30 x total number of positions + 2.10 |
| B = 0.30 x total number of positions - 0.30 |
| C = 0.30 x total number of positions - 0.90 |

Circuitry Type For Recommended Circuitry type see page 25

Technical Support / Drawings / Specifications / www.fciconnect.com

Dimensions in mm

The most flexible solution