

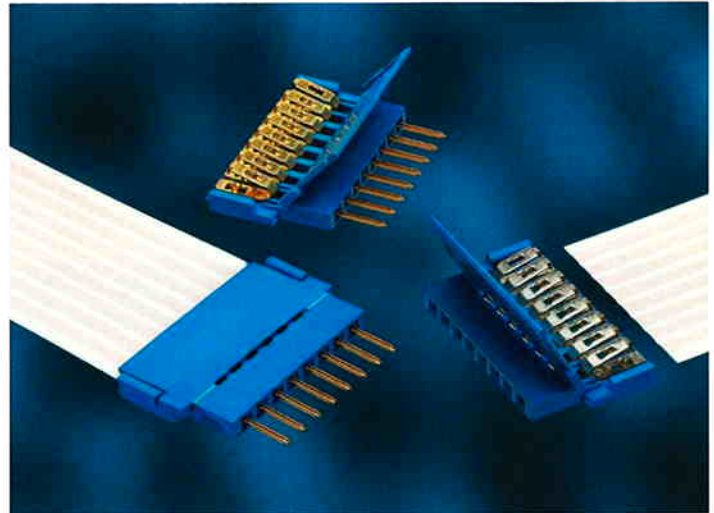
CLINCHER series



2.54 mm Spacing for FFC / FPC / CIC

Features

- Available in 2 to 32 positions
- Gas-Tight, High pressure (GTH)
- Gold and tin plated option
- Pre-assembled
- Snap-shut
- Long-life contacts
- Mates with 0.62 mm square or round pins
- Dedicated application equipment



Benefits

- Pre-assembled connectors reduce overall applied costs and ensure full contact protection.
- Snap-shut allows a single connection operation and therefore increases assembly speed.

Technical Data

Material

Housing : Polypropylene, glass reinforced, UL94V-0, Blue

Contact : brass, Gold or Tin alloy plated

Cable specification	
Specification:	IPC Standard FC-220C. Cables type A or B
Thickness:	0.305 ±0.025 mm(0.012±0.0001 inch) incl. insulation
Insulation material:	Mylar, Kapton or Nomex (polyester/polyamide)
Conductor Thickness:	0.076 ±0.013 mm (0.003±0.0005 inch), 305 gr/m ² 0.127 ±0.013 mm (0.005±0.0005 inch), 610 gr/m ²
Conductor width:	1.57 ± 0.07 mm (0.062±0.003 inch)
Conductor pitch:	2.54 ±0.05 mm (0.100±0.002 inch)
Thickness for non standard cable:	0.11 - 0.35 mm (0.004 - 0.013 inch)
Mating pin:	0.64 mm square (0.025 inch), min. 5.00 mm(0.196 inch) length
Cable specification and application data sheet TA 264, TA 371 and TA 372 on request	

Technical Support / Drawings / Specifications : www.fciconnect.com

The most flexible solution

CLINCHER series



2.54 mm Spacing for FFC / FPC / CIC

Ordering Data

Series

5 digit partnumber - 0 02

65801 = receptacle assembly

66226 = pin assembly

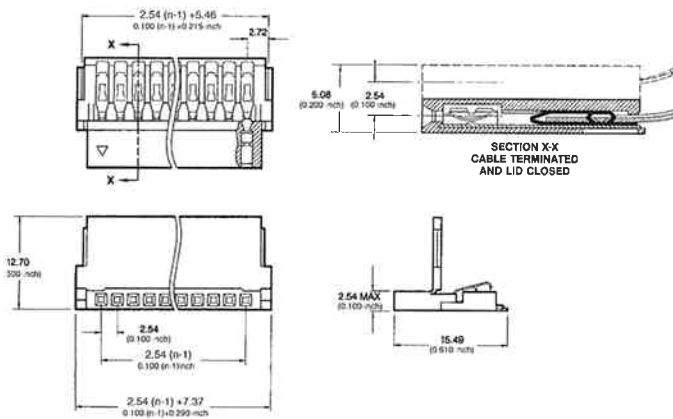
Number of positions see table

0 = standard version

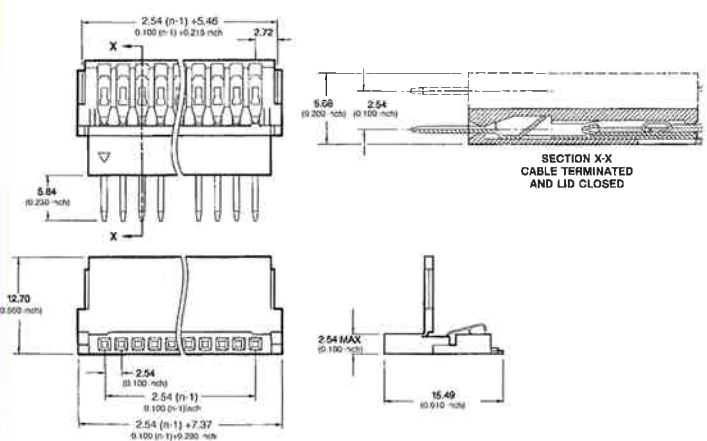
1 = for Thin film circuits (0.15 mm max. thickness) Female Receptacle only

Dimensions

Receptacle assembly



Pin assembly



Gold plated		Tin plated	
code	positions	code	positions
63	= 2 pos.	02	= 2 pos.
62	= 3 pos.	03	= 3 pos.
33	= 4 pos.	04	= 4 pos.
34	= 5 pos.	05	= 5 pos.
35	= 6 pos.	06	= 6 pos.
36	= 7 pos.	07	= 7 pos.
37	= 8 pos.	08	= 8 pos.
38	= 9 pos.	09	= 9 pos.
39	= 10 pos.	10	= 10 pos.
40	= 11 pos.	11	= 11 pos.
41	= 12 pos.	12	= 12 pos.
42	= 13 pos.	13	= 13 pos.
43	= 14 pos.	14	= 14 pos.
44	= 15 pos.	15	= 15 pos.
45	= 16 pos.	16	= 16 pos.
46	= 17 pos.	17	= 17 pos.
47	= 18 pos.	18	= 18 pos.
48	= 19 pos.	19	= 19 pos.
49	= 20 pos.	20	= 20 pos.
50	= 21 pos.	21	= 21 pos.
51	= 22 pos.	22	= 22 pos.
52	= 23 pos.	23	= 23 pos.
53	= 24 pos.	24	= 24 pos.
54	= 25 pos.	25	= 25 pos.
55	= 26 pos.	26	= 26 pos.
56	= 27 pos.	27	= 27 pos.
57	= 28 pos.	28	= 28 pos.
58	= 29 pos.	29	= 29 pos.
59	= 30 pos.	30	= 30 pos.
60	= 31 pos.	31	= 31 pos.
61	= 32 pos.	32	= 32 pos.
66	= 34 pos.	64	= 34 pos.

Gold plated		Tin plated	
code	positions	code	positions
34	= 2 pos.	02	= 2 pos.
35	= 3 pos.	03	= 3 pos.
36	= 4 pos.	04	= 4 pos.
37	= 5 pos.	05	= 5 pos.
38	= 6 pos.	06	= 6 pos.
39	= 7 pos.	07	= 7 pos.
40	= 8 pos.	08	= 8 pos.
41	= 9 pos.	09	= 9 pos.
42	= 10 pos.	10	= 10 pos.
43	= 11 pos.	11	= 11 pos.
44	= 12 pos.	12	= 12 pos.
45	= 13 pos.	13	= 13 pos.
46	= 14 pos.	14	= 14 pos.
47	= 15 pos.	15	= 15 pos.
48	= 16 pos.	16	= 16 pos.
49	= 17 pos.	17	= 17 pos.
50	= 18 pos.	18	= 18 pos.
51	= 19 pos.	19	= 19 pos.
52	= 20 pos.	20	= 20 pos.
53	= 21 pos.	21	= 21 pos.
54	= 22 pos.	22	= 22 pos.
55	= 23 pos.	23	= 23 pos.
56	= 24 pos.	24	= 24 pos.
57	= 25 pos.	25	= 25 pos.
58	= 26 pos.	26	= 26 pos.
59	= 27 pos.	27	= 27 pos.
60	= 28 pos.	28	= 28 pos.
61	= 29 pos.	29	= 29 pos.
62	= 30 pos.	30	= 30 pos.
63	= 31 pos.	31	= 31 pos.
64	= 32 pos.	32	= 32 pos.

Technical Support / Drawings / Specifications / www.fciconnect.com

Dimensions in mm

The most flexible solution