

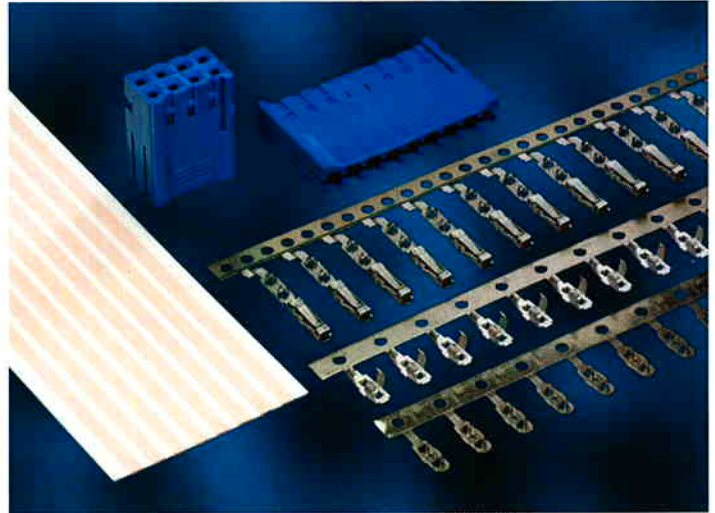
DUFLEX series



2.54 mm Spacing for FFC / FPC / CIC

Features

- Available in 2 to 36 positions per row
- Single or double row
- Gold or tin plated option
- Gas tight
- Highly reliable Insulation Displacement Contact (IDC) termination technique
- Low-cost connection system
- Versatility
- Long-life contacts
- Mates with 0.62 mm square or round pins as short as 5 mm
- Dedicated application equipment



Benefits

- Ideal for large-volume users.
- Mass-termination reduces overall applied costs and time.
- Contacts fitting all housing styles ensures versatility and minimizes stock values.

Technical Data

Material

Housing : Thermoplastic Polyester, glass reinforced, UL94V-0, Blue

Contact : Phosphor Bronze, Gold-duplex or Tin alloy plated

Cable specification	
Specification:	IPC Standard FC-220C. Cables type A or B
Thickness:	0.305 ±0.025 mm(0.012±0.0001 inch) incl. insulation
Insulation material:	Mylar, Kapton or Nomex (polyester/polyamide)
Conductor Thickness:	0.076 ±0.013 mm (0.003±0.0005 inch), 305 gr/m ² 0.127 ±0.013 mm (0.005±0.0005 inch), 610 gr/m ²
Conductor width:	1.57 ± 0.07 mm (0.062±0.003 inch)
Conductor pitch:	2.54 ±0.05 mm (0.100±0.002 inch)
Thickness for non standard cable:	0.11 - 0.35 mm (0.004 - 0.013 inch)
Mating pin:	0.64 mm square (0.025 inch), min. 5.00 mm(0.196 inch) length
Cable specification and application data sheet TA 338 and TA 333 on request	

Technical Support / Drawings / Specifications : www.fciconnect.com

The most flexible solution

2.54 mm Spacing for FFC / FPC / CIC

Ordering Data

Housing

5 digit partnumber - 0 02

67013 = single row housing

66987 = double row housing

Number of contacts per row = 02 to 36

Contact

76785 - 3 01

Packaging 01 = 15000 per cardboard reel

11 = 3000 per cardboard reel

Plating

3 = 0.75µm gold

contact area, tin-lead cable area,

0.30N min./0.60N max. insertion force

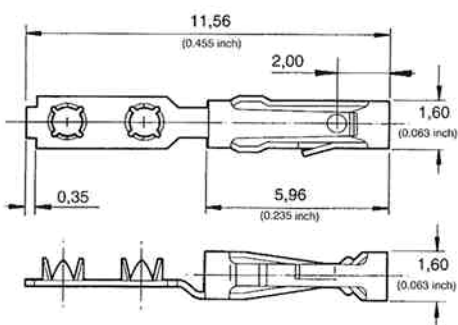
4 = 5.00µm tin-lead

contact area, tin-lead cable area,

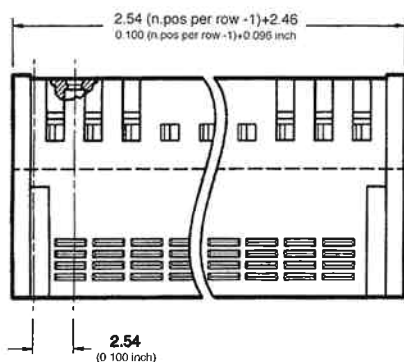
0.30N min./0.60N max. insertion force

Dimensions

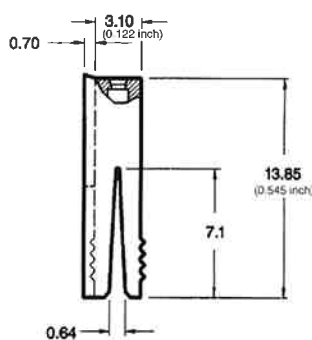
Contact



Housing



Single row



Double row

