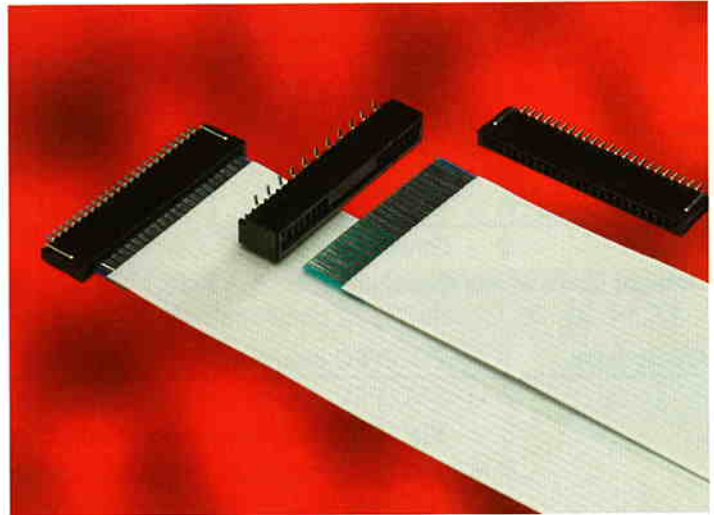


1.00 mm Spacing for FFC / FPC / CIC

Features

- Available in 4 to 30 positions (right angle) and 4 to 33 positions (straight)
- Top and bottom contacts
- Optional mounting devices (straight)



Benefits

- The Gas-Tight, High pressure (GTH) contact system ensures a low cost connection with reliability equal to gold plating.
- The Low Insertion Force (LIF) contacts positioning provides a reliable and easy mating operation.
- Fork shaped contacts mean stable and low contact resistance.
- Optional mounting devices provide PCB hold-down and strain relief for SMT tails, highly desirable for lower positions.

Technical Data

PC Board pattern (component side)

Material

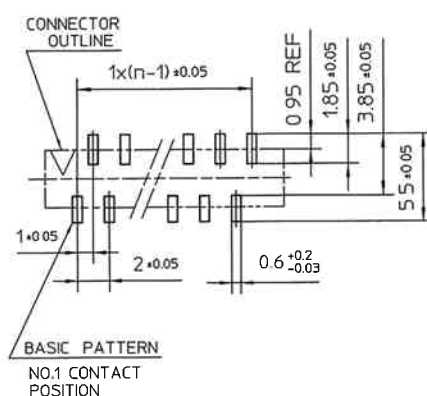
Housing :

Polyamide 6T,
glass reinforced, UL94V-0, Black

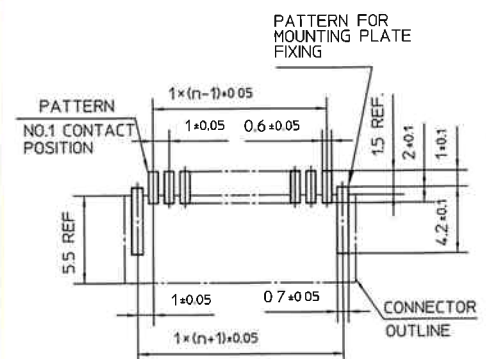
Contact :

Phosphor Bronze, Tin alloy plated

Straight



Right angle



HFW series - LIF / SMT



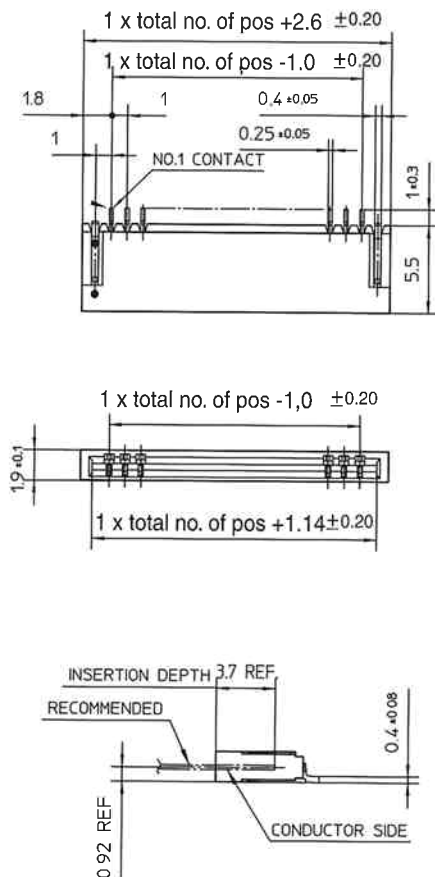
1.00 mm Spacing for FFC / FPC / CIC

Ordering Data

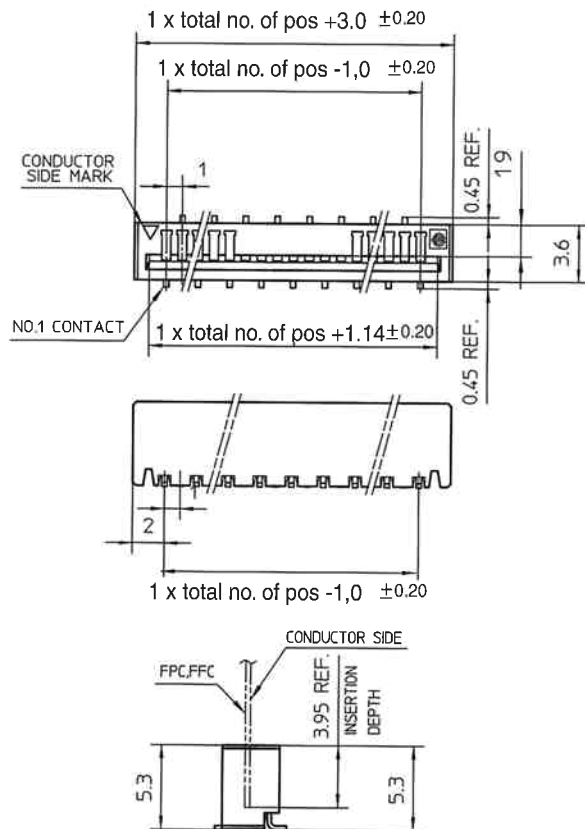
Series	HFW	20	R	-	1	ST	E1
No of contacts	4 to 33 (Straight) 4 to 30 (Right angle)						
Terminal type	R = Right angle S = Straight						
Cable type	2 = FPC/FFC (Straight) 6 = CIC (Straight)						
	1 = FPC/FFC downside contact (Right angle) 2 = FPC/FFC upside contact (Right angle)						
Packaging				Right angle E1 = tape-and-reel 2000 pcs E3 = tape-and-reel 200 pcs Straight E1 = tape-and-reel 1000 pcs			
PCB mounting				ST = SMT type			

Dimensions

Right angle



Straight



Circuitry Type For Recommended Circuitry type see page 28