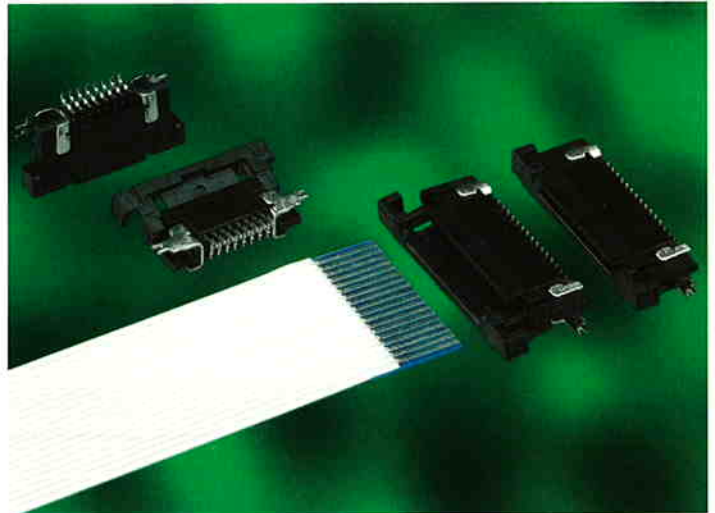


0.50 mm Spacing for FFC / FPC

Features

- Available in 4 to 35 positions
- Right angle
- Cable lock option
- Top and bottom contacts
- Excellent cable retention with small size slider



Benefits

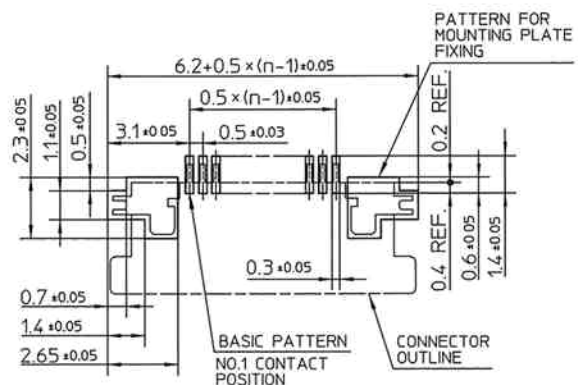
- The Gas-Tight, High pressure (GTH) contact system ensures a low cost connection with reliability equal to gold plating.
- The Zero Insertion Force (ZIF) connection allows an increased number of mating cycles with minimal wear.
- The ZIF pre-holding process provides a stable and reliable mating operation.
- The slider ensures maximum cable retention with a minimum size.
- The cable lock option provides cable strain relief as well as full retention of cable.
- Fork shaped contacts mean stable and low contact resistance.
- Product variations cover a broad range of applications.

Technical Data

PC Board pattern (component side)

Material

- Housing** : Polyamide Resin, glass reinforced, UL94V-0, Black
- Slider** : PPS Resin, glass reinforced, UL94V-0, Brown (with cable-lock : Black)
- Contact** : Phosphor Bronze, Tin alloy plated



SFV series - ZIF / SMT



0.50 mm Spacing for FFC / FPC

Ordering Data

Series SFV 20 R - 1 ST E1

Number of contacts 4 to 35

Terminal type R = side entry

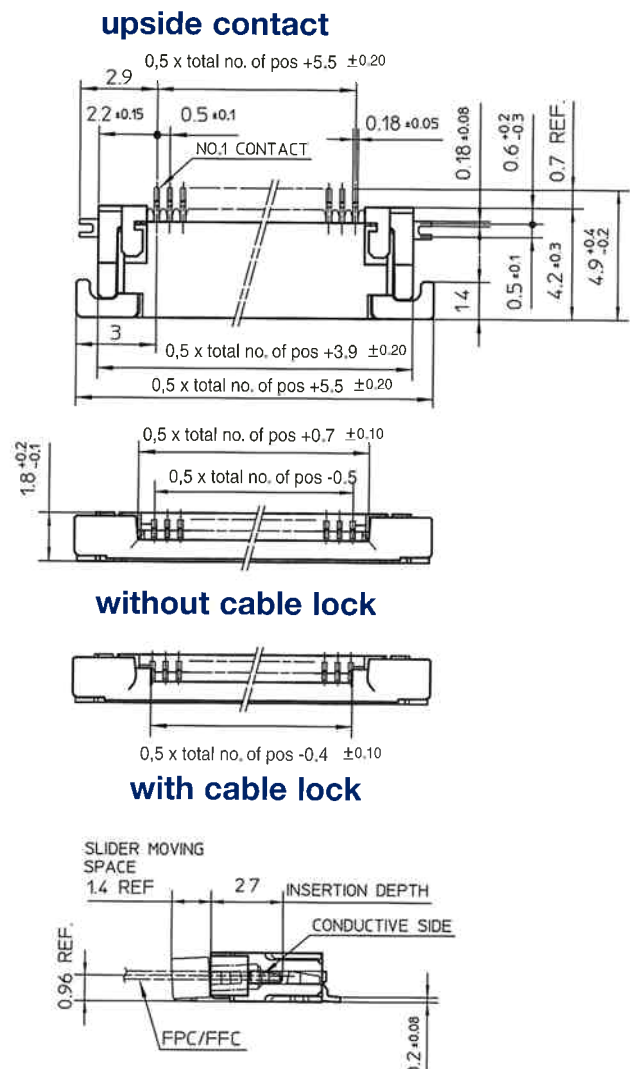
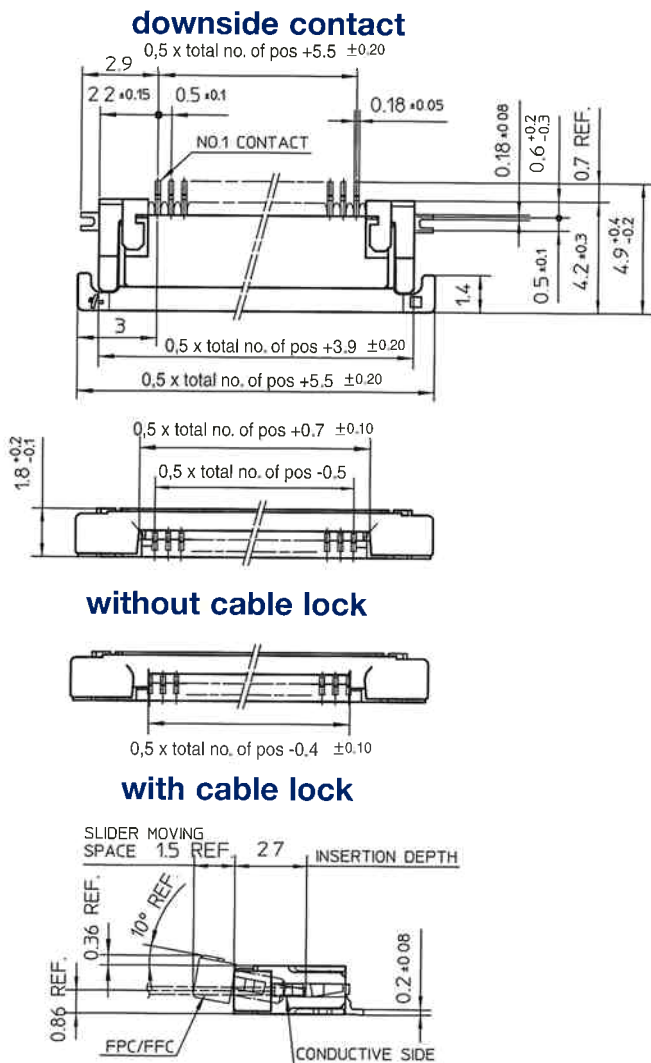
Cable type

- 1 = FPC/FFC downside contact
- 2 = FPC/FFC upside contact
- 3 = FPC (with cable-lock) downside contact
- 4 = FPC (with cable-lock) upside contact

Packaging E1 = tape-and-reel :3000 pcs.
E3 = tape-and-reel :200 pcs.

PCB mounting ST = SMT type

Dimensions



Circuitry Type For Recommended Circuitry type see page 26 and 27